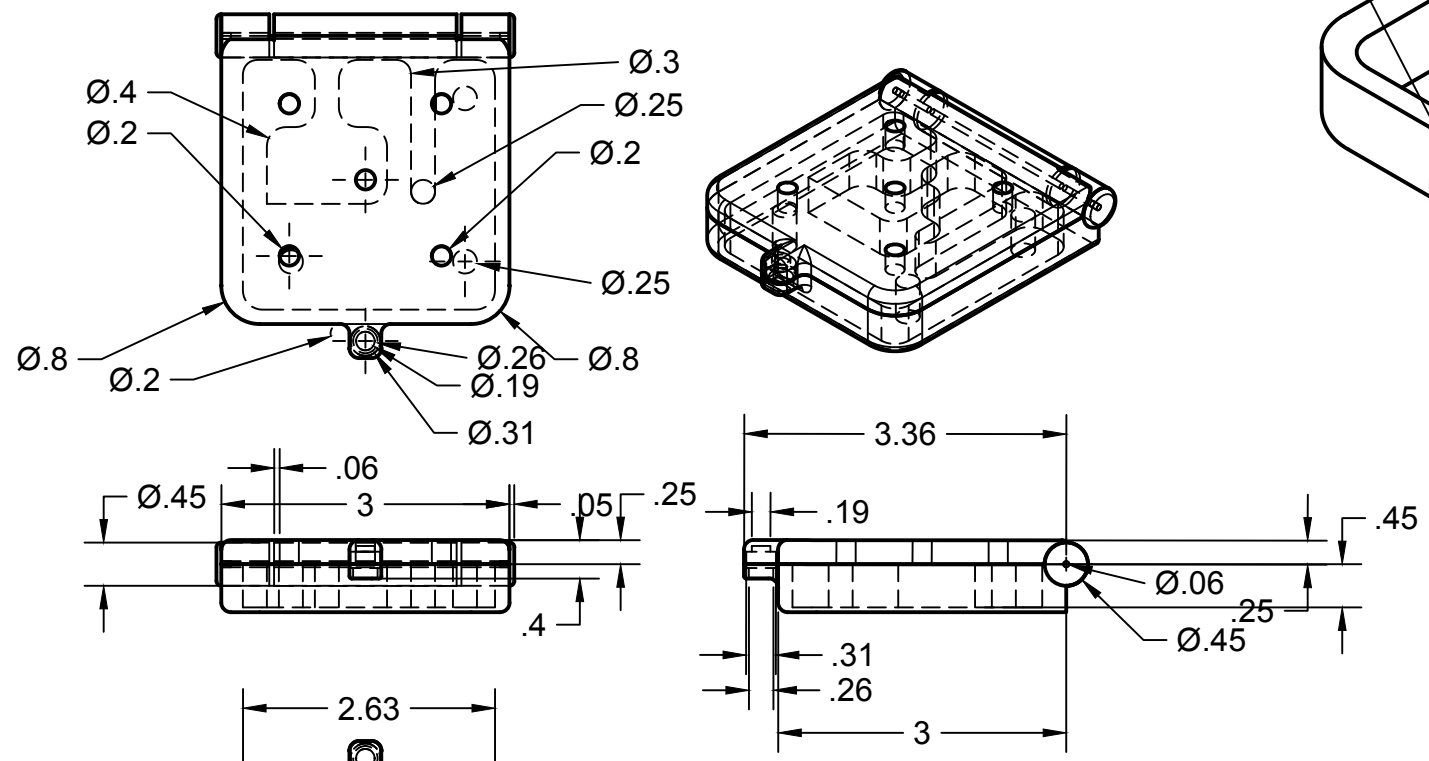
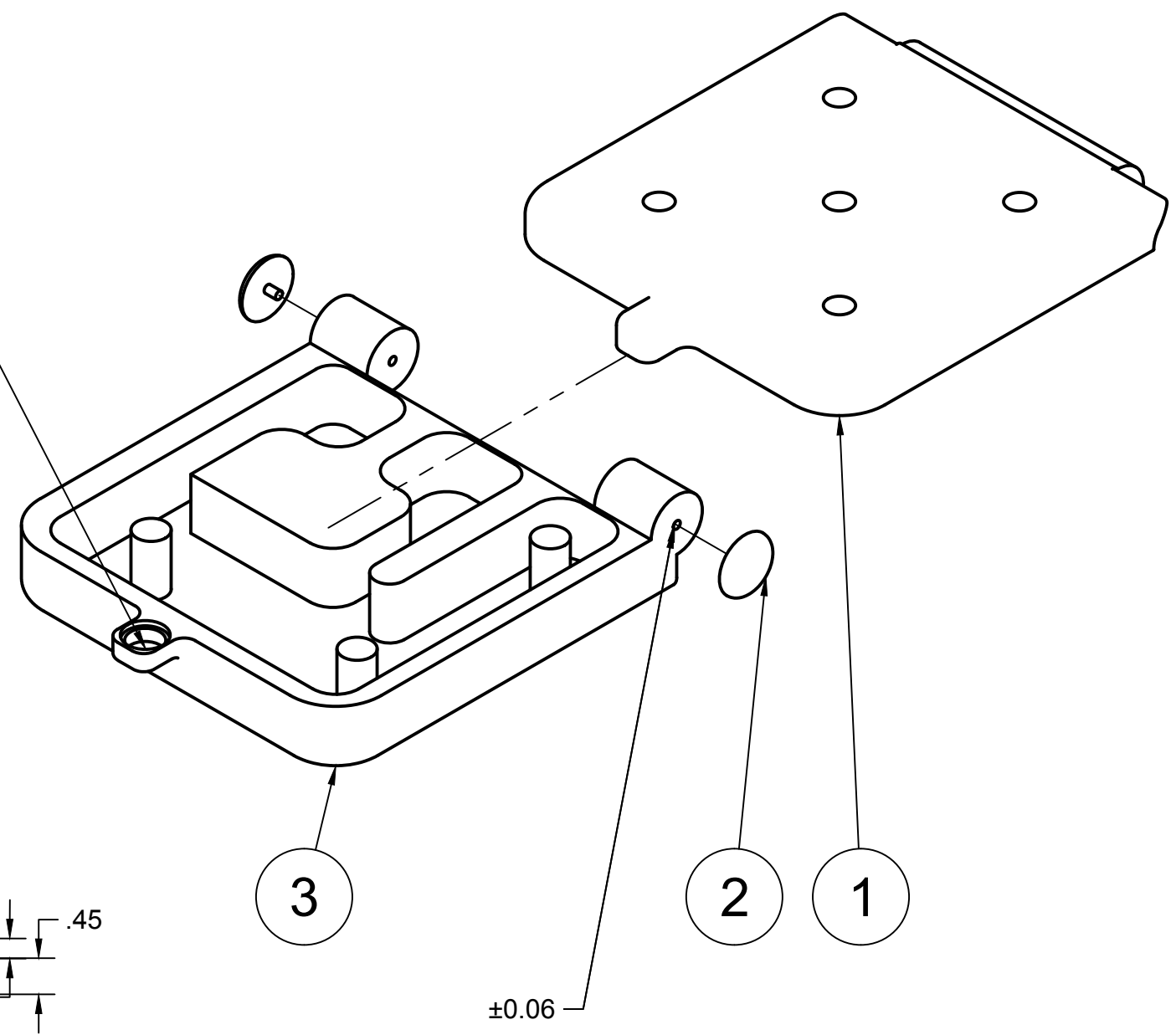


This is where the bottom stud is inserted (with gule Preferably).



This is where the top stud is inserted (with gule).



ITEM	QTY	PART NUMBER	MASS
3	1	COMPONENT1	10.015 OUNCEMASS
2	2	1.3.7 END CAPS	0.034 OUNCEMASS
1	1	TOP	10.74 OUNCEMASS
PARTS LIST			

Project Name:		Designers Name: Ryan Curley, Jermiah Brown		Sheet #: 1
Drawn By Date: 4/28/21	Checked By Date: 4/28/21	Scale: 1:2	Sheet Size: Sheet Size A	