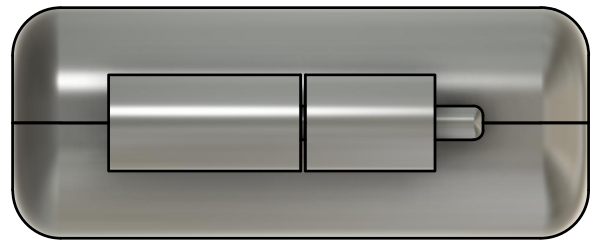
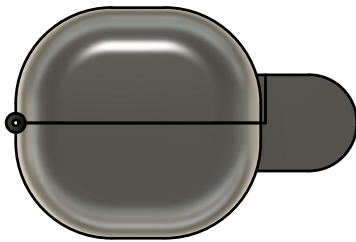
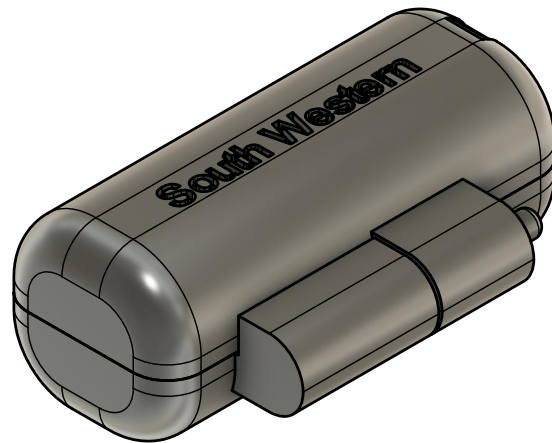


# The Sunglasses Case

J. Lieb, W. Lao, R. Curley, J. Brown

South Western High School

PLTW - Intro To Engineering



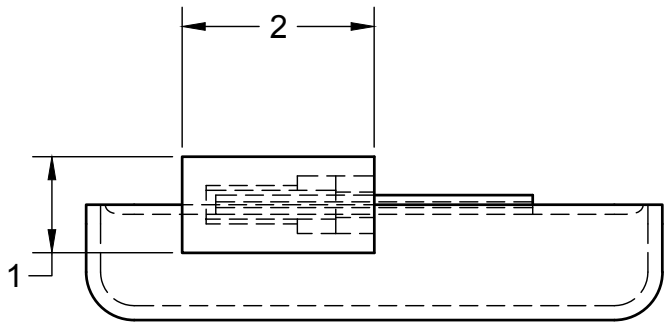
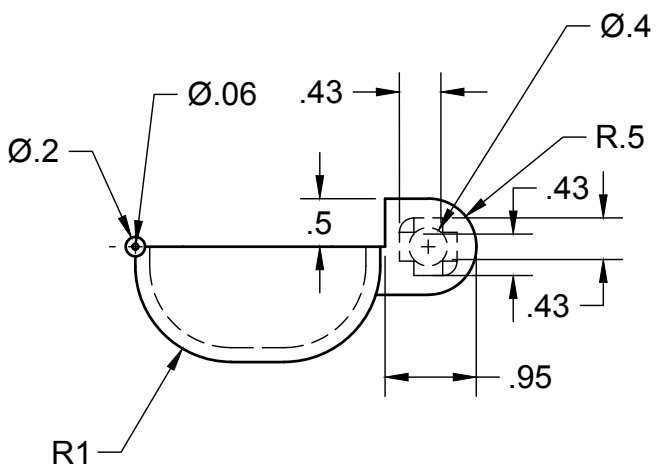
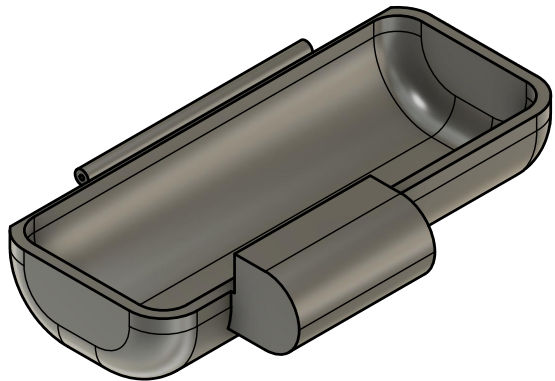
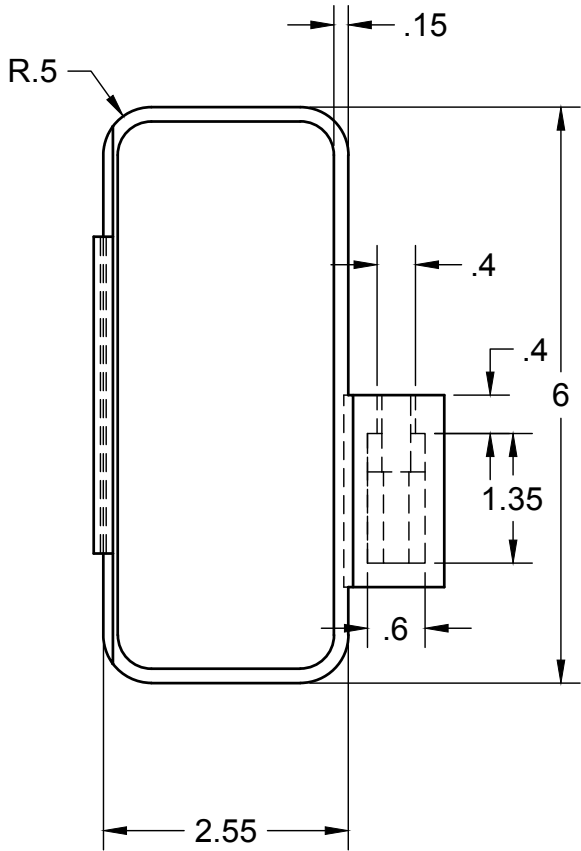
PROJECT

Sunglasses Case

TITLE

Cover Page

APPROVED	William Lao	5/26/2021	SIZE	CODE	DWG NO	REV
CHECKED	William Lao	5/26/2021	A			
DRAWN	Josiah Lieb	5/25/2021	SCALE 1:2	WEIGHT	SHEET 1/5	

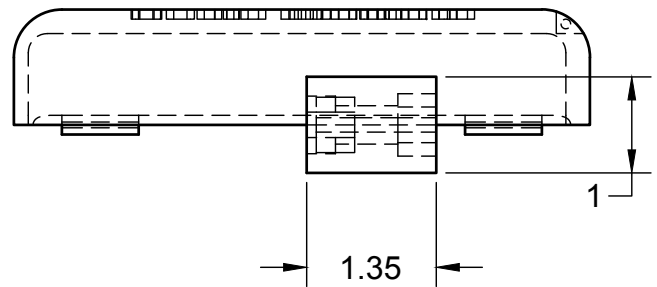
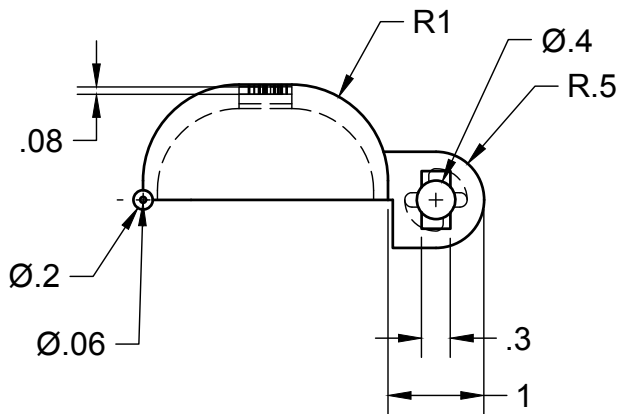
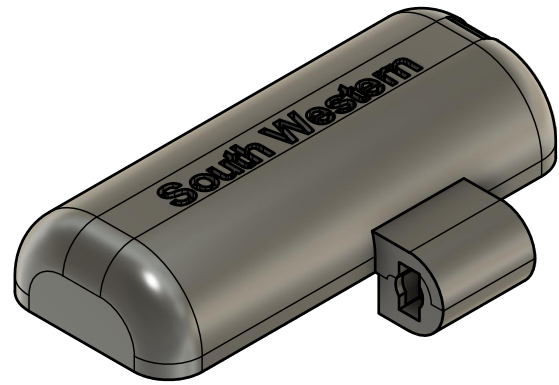
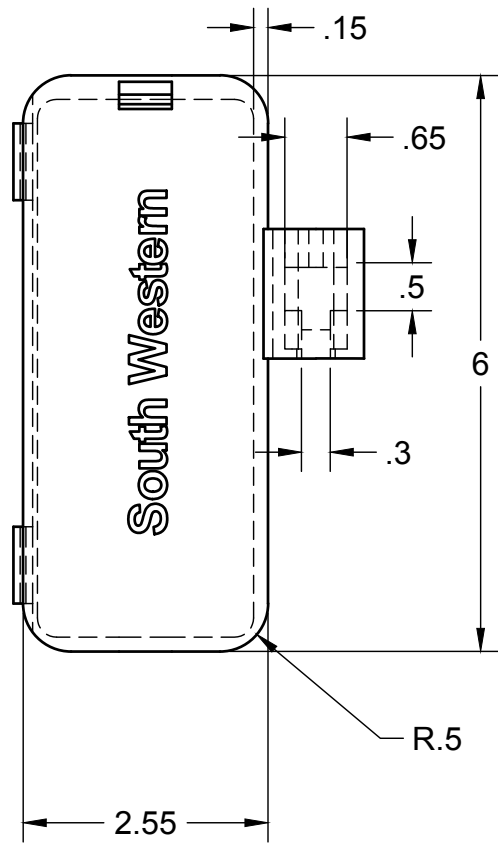


All measurements in Inches  
Tolerances within .05±

PROJECT  
**Sunglasses Case**

TITLE  
**Bottom Case Part**

APPROVED William Lao	5/26/2021	SIZE	CODE	DWG NO	REV
CHECKED William Lao	5/26/2021	A			
DRAWN Josiah Lieb	5/25/2021	SCALE 1:2	WEIGHT	SHEET 2/5	



All measurements in Inches  
Tolerances within .05±

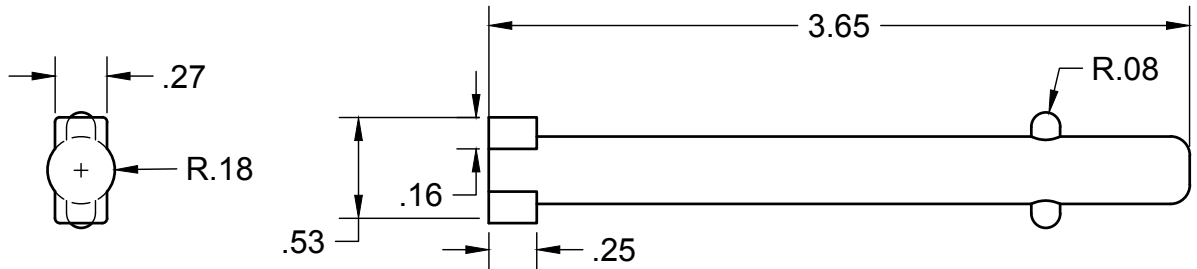
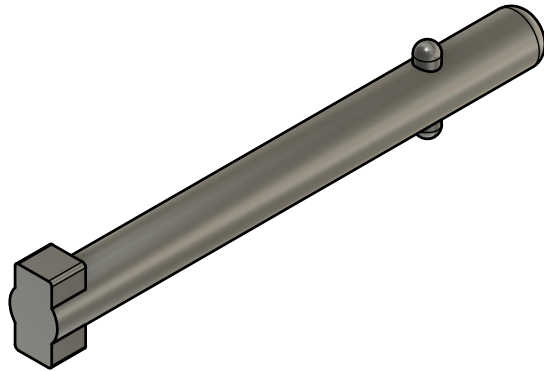
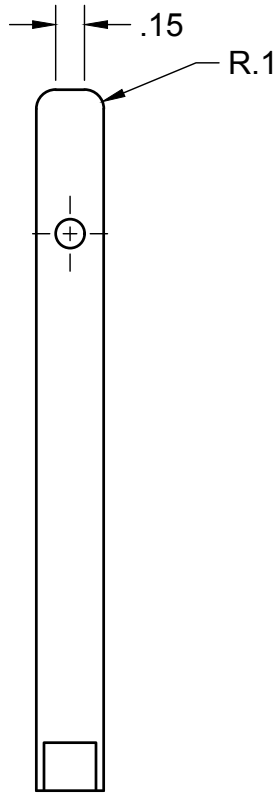
PROJECT

**Sunglasses Case**

TITLE

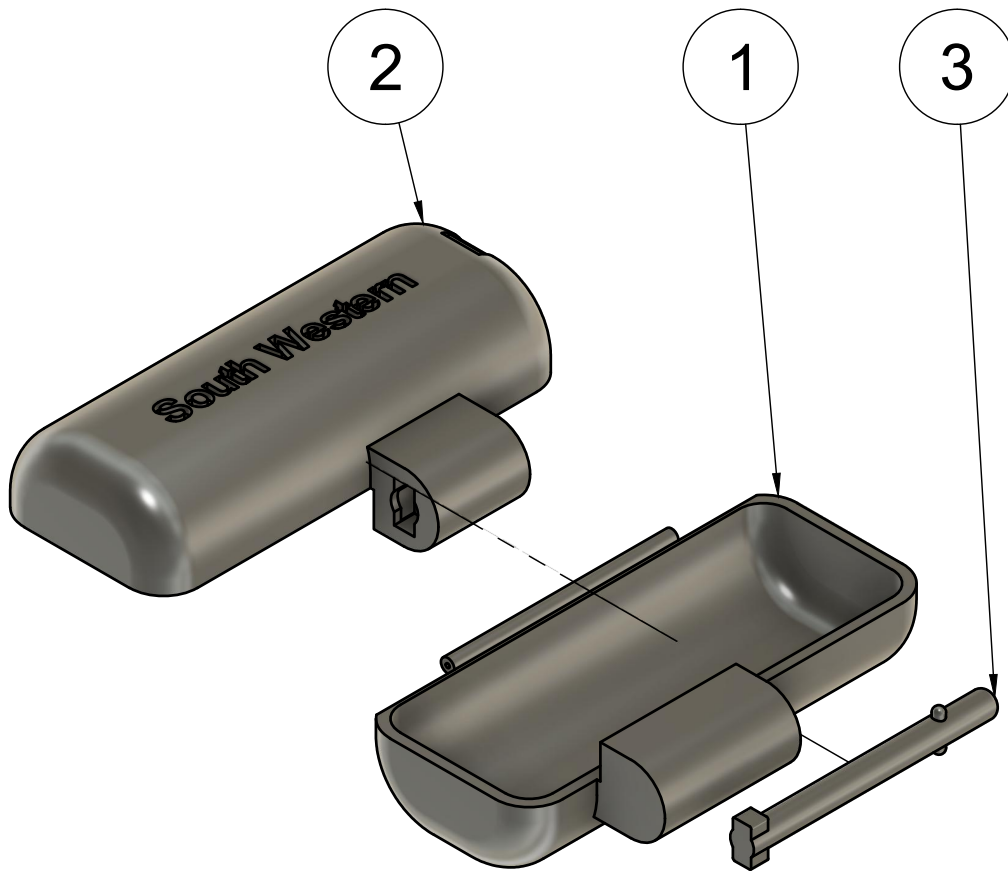
**Top case part**

APPROVED William Lao	5/26/2021	SIZE	CODE	DWG NO	REV
CHECKED William Lao	5/26/2021	A			
DRAWN Josiah Lieb	5/25/2021	SCALE 1:2	WEIGHT	SHEET 3/5	



PROJECT  
**Sunglasses Case**  
 TITLE  
**Cover Page**

APPROVED Josiah Lieb	5/26/2021	SIZE	CODE	DWG NO	REV
CHECKED Josiah Lieb	5/26/2021	A			
DRAWN William Lao	5/26/2021	SCALE 1:1	WEIGHT	SHEET 4/5	



3	1	BOLT HINGE	STEEL
2	1	SUNGLASSES CASE_TOP FINAL	STEEL
1	1	SUNGLASSES CASE_BOTTOM FINAL	STEEL
ITEM	QTY	PART NUMBER	MATERIAL
PARTS LIST			

PROJECT

**Sunglasses Case**

TITLE

**Exploded view**

APPROVED	William Lao	5/26/2021	SIZE	CODE	DWG NO	REV
CHECKED	William Lao	5/26/2021	A			
DRAWN	Josiah Lieb	5/25/2021	SCALE 1:2	WEIGHT	SHEET 5/5	